

## Ceramic



### Part Numbering

- ① MAC technologies
- ② Patch Antenna
- ③ Hole Location : Center Yype(D : Diagonal)
- ④ 79mm Square size & Thickness(A: 2mm, B: 3mm, C: 4mm)
- ⑤ Center Freq : 919MHz
- ⑥ Ground Plane Information(A: 70x70 Square, B: 50x50, S: Special)
- ⑦ With Bottom side Adhesive Tape
- ⑧ Assembly : PCB + Cable(Connector)

### Features

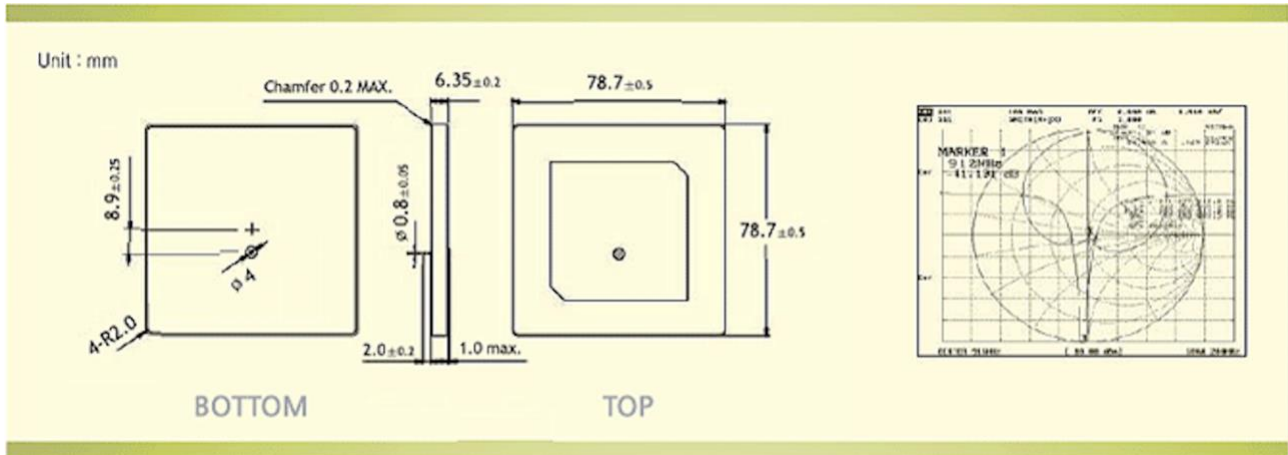
- Antenna dimension is as small as Tefion antenna
- Provide highly stabilized performance
- Using high quality factor dielectric
- Low and tight temperature coefficient

[www.nesslab.com](http://www.nesslab.com)

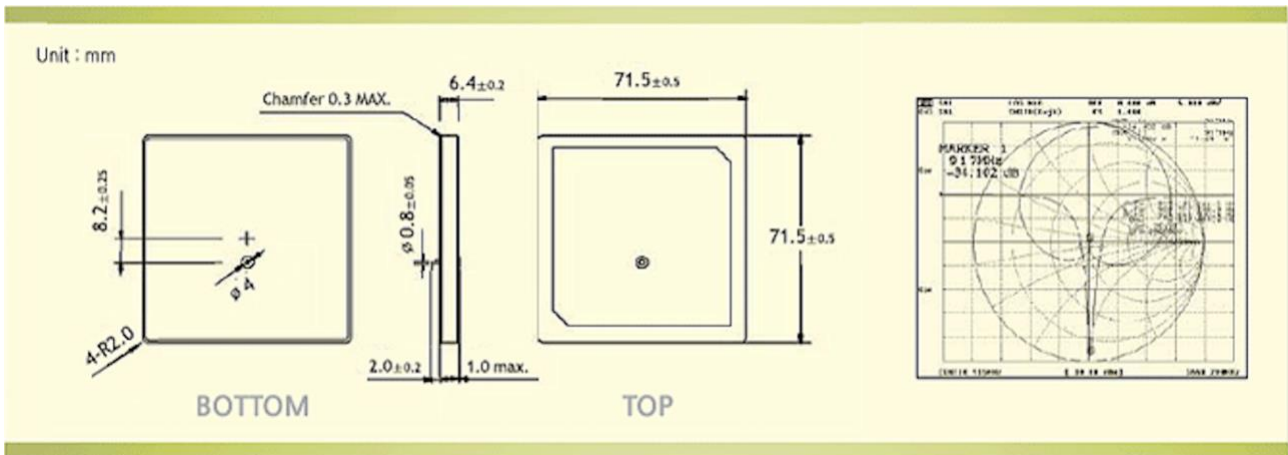
194, Techno 2-ro, Yuseong-gu, Daejeon, 34028 Republic of Korea

Tel: +82-31-206-1782 Fax: +82-31-206-1780

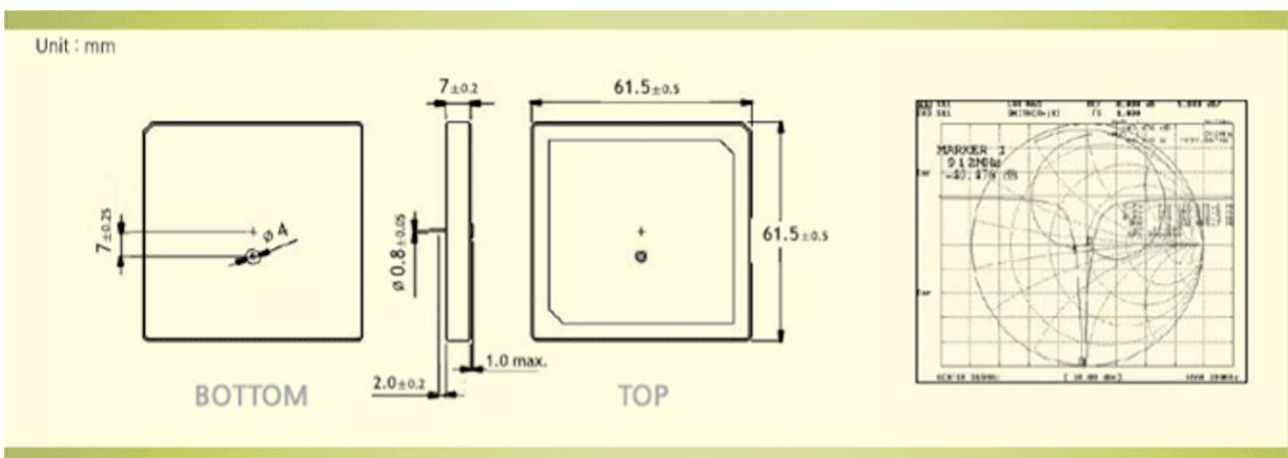
### 78.7 X 78.7mm Antenna



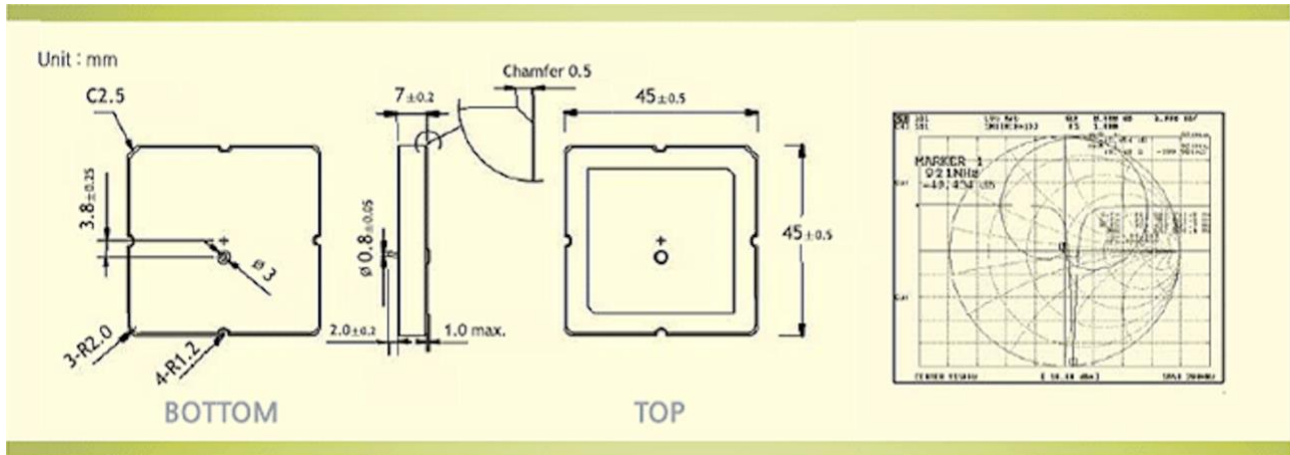
### 71.5 X 71.5mm Antenna



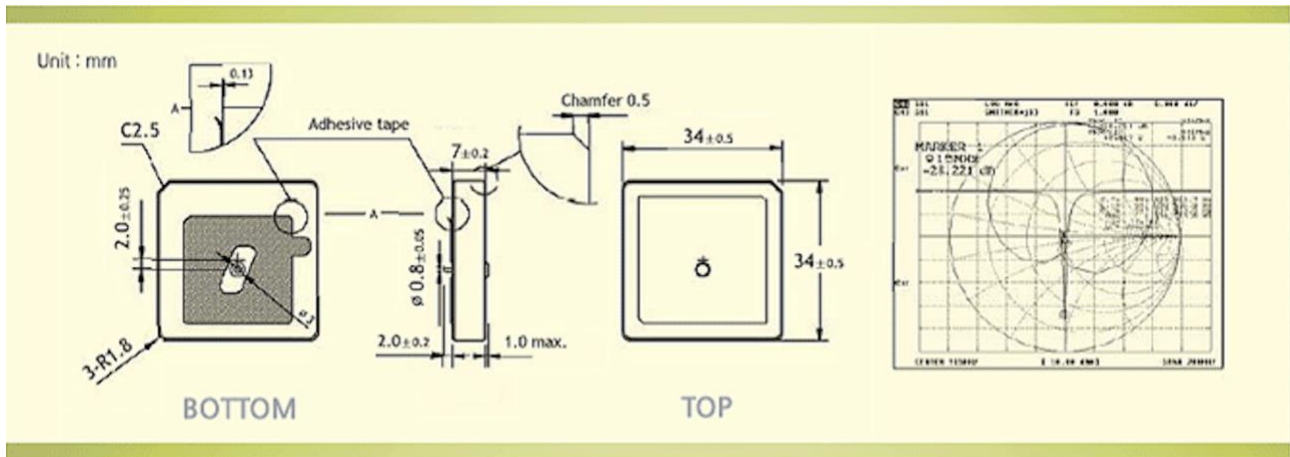
### 61.5 X 61.5mm Antenna



### 45 X 45mm Antenna



### 34 X 34mm Antenna



### 24.8 X 24.8mm Antenna

